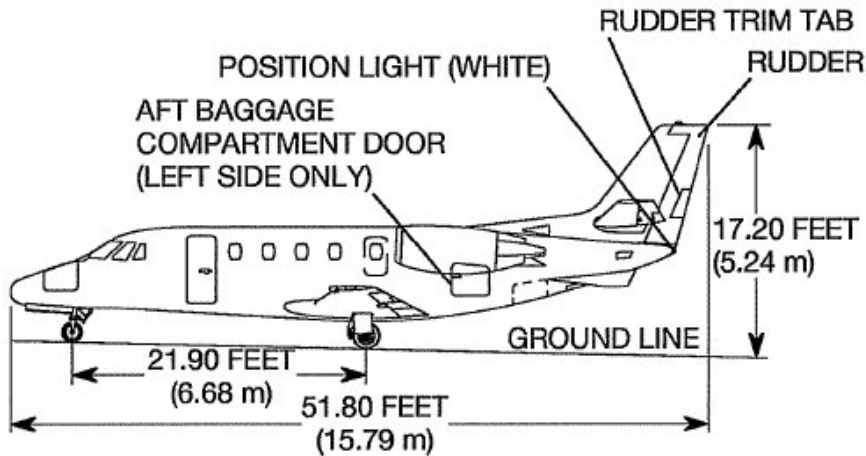
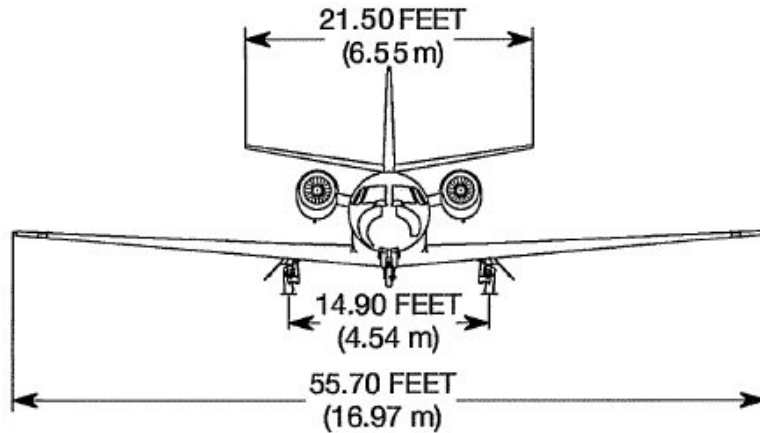
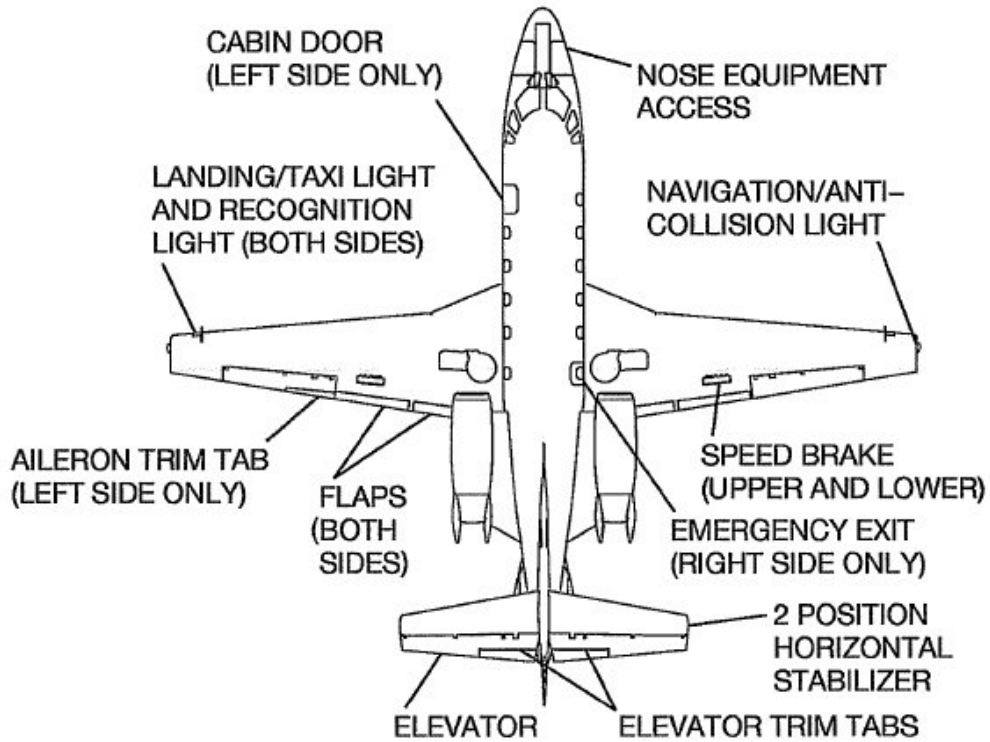


# AIRCRAFT DIMENSIONS



## TURNING RADIUS

